

# DIVISION STAMPINGS

Quality Stampings and Affordable Prices

We're known as the **SUPERSTAMPER**.

We've *earned* the reputation.



# DIVISION STAMPINGS

## ... The SuperStamper

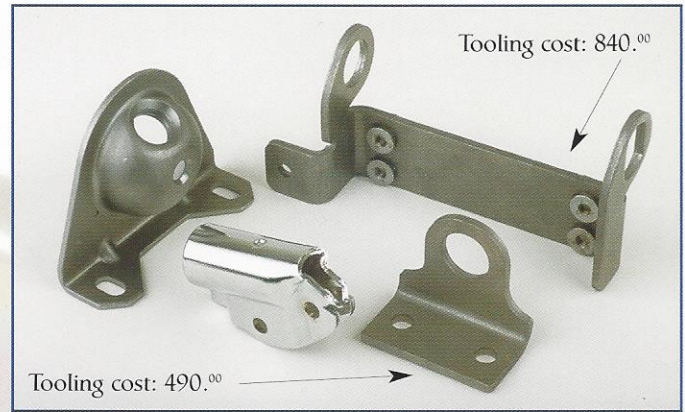
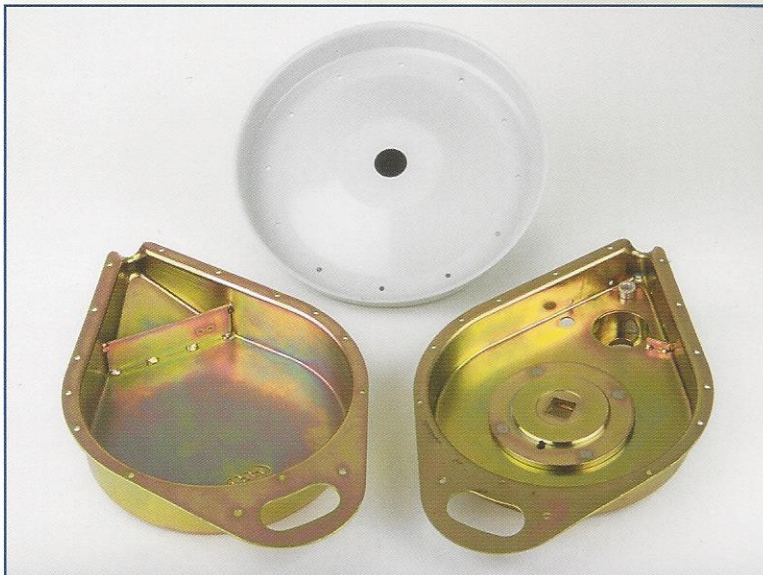
Division Stampings Inc. began operations in 1968, and is now a second generation manufacturing company. Our niche is short run stamping, from simple parts to complex components and assemblies, and draws to 3" in depth.

Our toolmaking capacity sets us apart, and allows us to provide top quality stampings at serious savings to you. You'll see how we save you money, and how we utilize our technology and experience to create efficiencies (lower cost!) for you.



Call us to discuss our tooling advantage *and what it could mean for you.*

Our facility is large and diverse. Our people are creative, experienced and knowledgeable. We know how to compete - and everything we have learned to do is for the benefit of our customers, who know value when they see it.

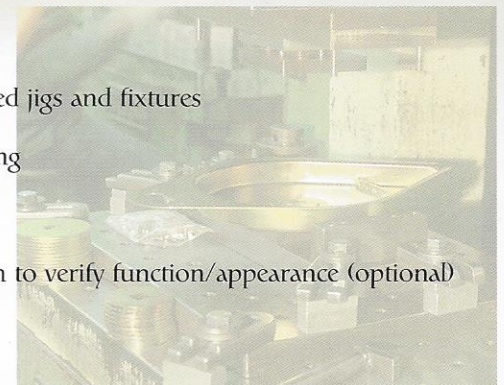


### JOB CONTROL

- From sketch, print or part
- Analyze for size, tolerance, materials and operations
- Develop accurate estimate
- Develop production plan
- Establish delivery date
- Review plan and route job through plant

### TOOLMAKING

- Standardized jigs and fixtures
- CNC milling
- EDM
- Sample run to verify function/appearance (optional)



## INVENTORY

Large in house stock or special order

Aluminum

Brass

Steel

Stainless steel

Bronze

Nickel

Copper

Beryllium copper

Non-metallics

Bar stock

Material certification on request

## PRODUCTION

20 to 440 ton presses

Tools registered, cataloged and stored on premises

Tooling/presses/routing optimized for efficiency

Machining

Deburring

Tapping

Reaming

Counterboring

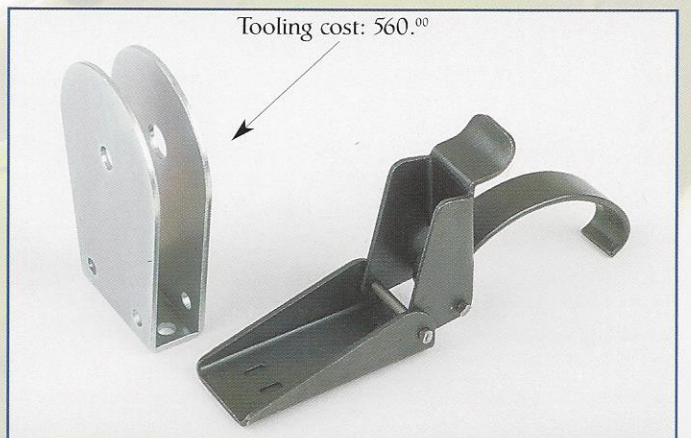
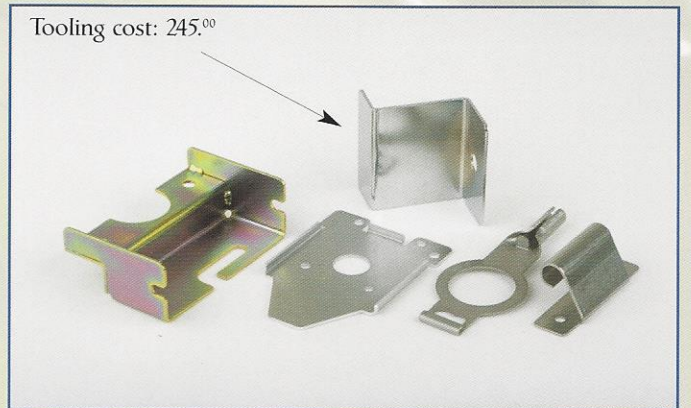
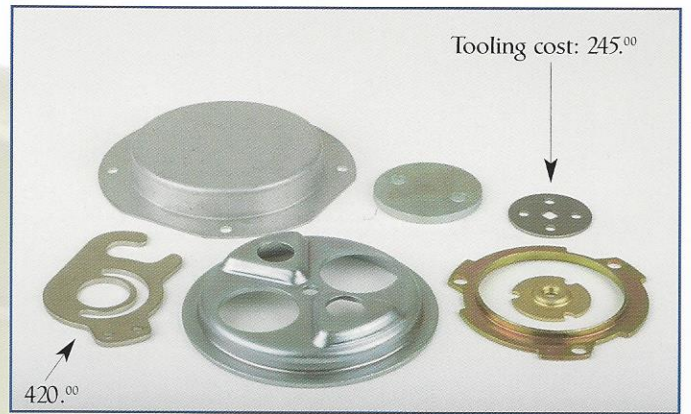
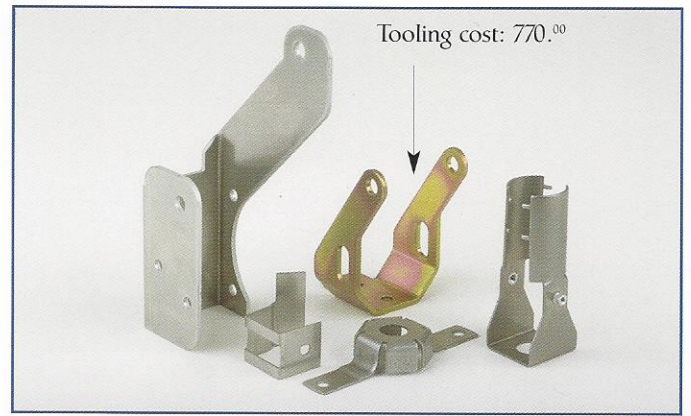
Spotfacing

Welding

Assembly

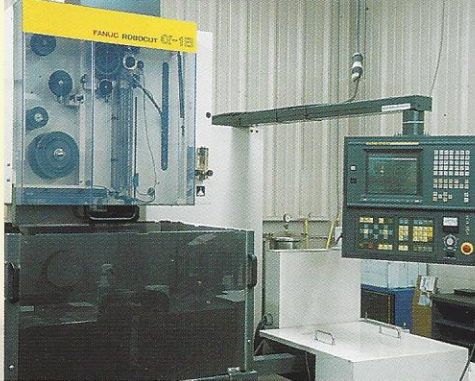
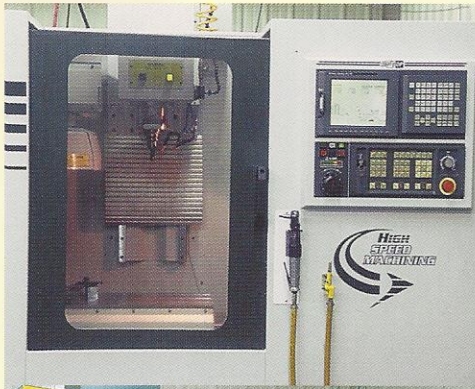
Outsourcing

JIT service available



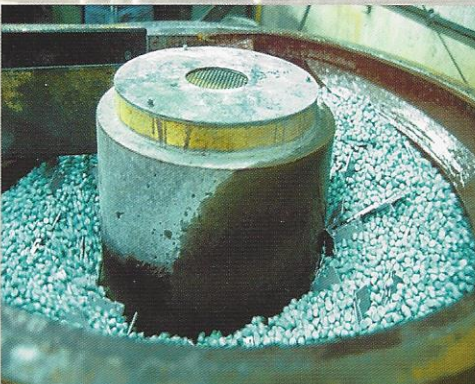
## INSPECTION

- Process based
- On-going throughout job routing
- Random at each stage
- Final checking
- Conforming to SPC guidelines



## EQUIPMENT

- 46 presses, 20 to 440 ton presses
- 1/2" and 1/4" shears
- 4 vibratory finishing machines
- EDM
- CNC milling
- 40,000 Sq. Ft. manufacturing space
- Complete inspection facility
- Multiple secondary operation facilities
- Large material storage facility
- Large tooling storage facility
- Complete tooling facility
- Call for facilities list!



*CALL US TODAY FOR  
IMMEDIATE ASSISTANCE!*

*We want to earn your business!*

**DIVISION STAMPINGS, INC.**  
**21100 Rogers Drive**  
**Rogers, MN 55374**



phone: 763-428-4164  
fax: 763-428-4649  
email: [sales@superstamper.com](mailto:sales@superstamper.com)